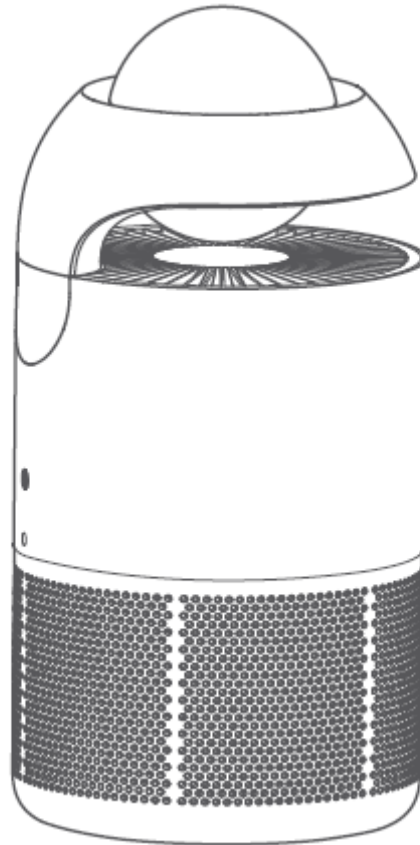


INSTRUCTION MANUAL



Model: Jupiter

Welcome To The World's Largest Sustainable Ecosystem

ATTENTION!

Before using the product, please read this user manual carefully and save it for future reference.

CAUTION!

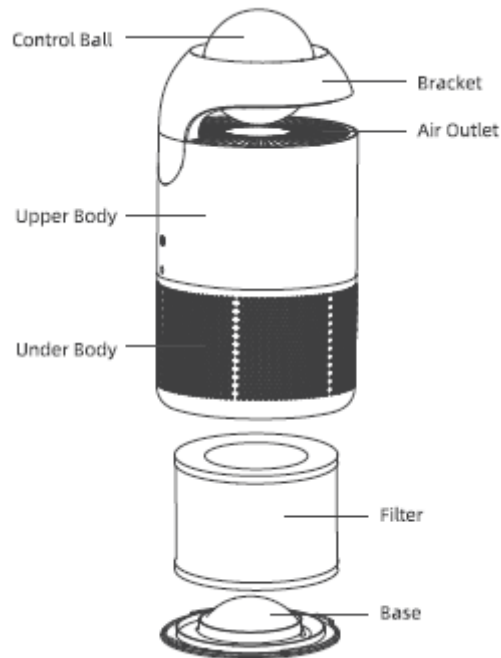
- Before connecting to the power supply, please ensure that the rated **voltage (100-240V, 50Hz-60Hz)** and **current supply (24V-1.2A)** match the local power supply.
- If the power cord or plug is damaged, **DO NOT USE** the air purifier. Contact customer service for replacement on info@bigwater.io
- Ensure that the air inlet/outlet remains unobstructed. **DO NOT** insert objects into the valves.
- **DO NOT** expose the air purifier to water or flammable liquids to prevent electric shock and fire hazards.
- **DO NOT** use extension cords or power strips to power the air purifier.
- Avoid spraying insecticides, perfumes, or any flammable substances near the air purifier.
- Individuals with physical or mental disabilities and those without proper experience should only use, clean, or maintain the product under supervision.
- Not intended for handling by children under 8 years of age.

01 / SAFETY INSTRUCTIONS

- This air purifier is **NOT** a replacement or substitute for ventilation, dust collection, or kitchen exhaust systems. **DO NOT** use it while cooking.
- **Do not** place any objects on the air purifier.
- Place the air purifier on a firm, flat, and horizontal surface.
- Maintain at least **30 cm** of **air inlet space** and **50 cm** of **air outlet space**.
- **DO NOT** place the unit under an air conditioner to prevent condensation from entering the device.
- Ensure the filter and back cover are correctly installed before connecting to power.
- Use only the designated filter for the air purifier.
- **DO NOT** insert objects, fingers, or any items into the air inlet/outlet.
- **DO NOT** use the air purifier in rooms containing insect repellent, flammable gas, or chemical fumes.
- **UNPLUG** the device before moving, cleaning, or replacing the filter. **DO NOT** pull the cord when unplugging.
- **DO NOT** use the air purifier in bathrooms or areas with **high humidity (>85% RH)**.

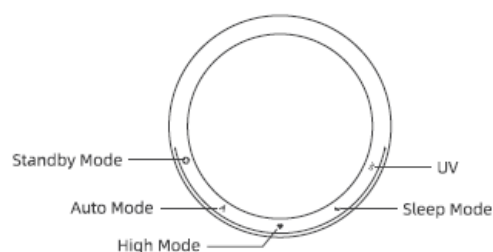
02 / PRODUCT OVERVIEW

02.1 / Components & Features



- **Control Ball** (*Touch & Rotate System*) – Used to switch between different operating modes.
- **Air Outlet** – Releases purified air into the room.
- **Upper Body & Lower Body** – Encloses the filtration system.
- **HEPA Filter with Activated Carbon** – Removes **99.97%** of airborne particles (PM2.5, dust, smoke, pollen, bacteria, and odours).
- **Base Panel** – Houses the filter and provides structural support.

02.2 / Control Ball



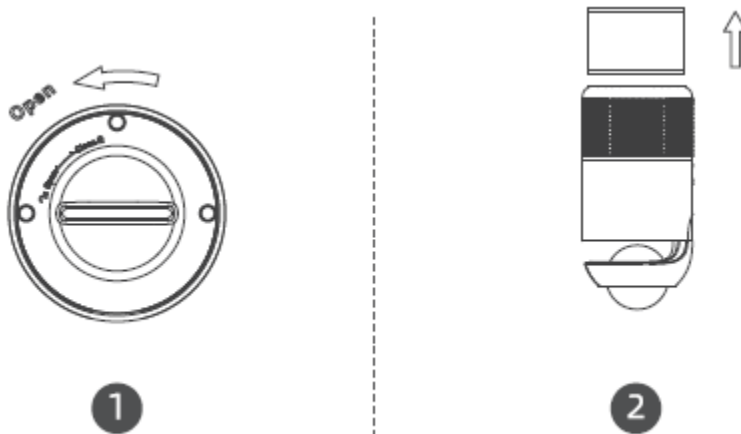
03 / SPECIFICATIONS

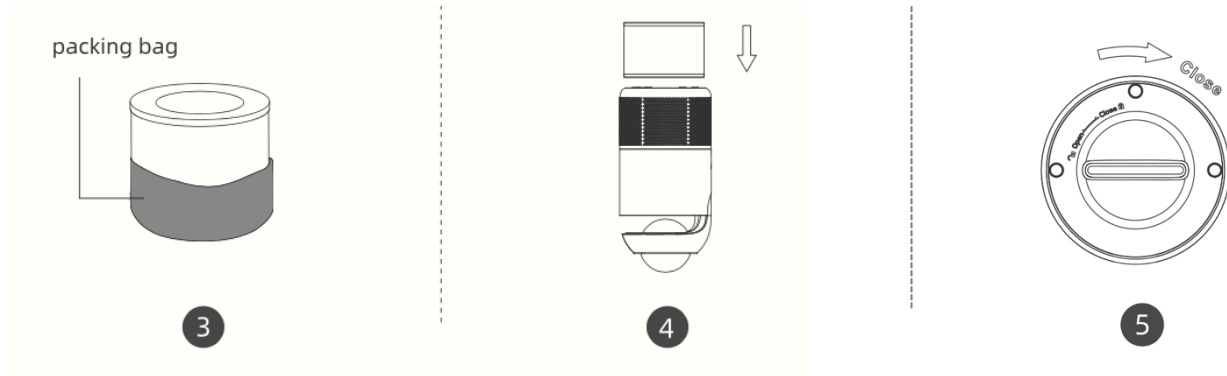
Model	Jupiter
Adapter	Input: 100-240V 50Hz-60Hz Output: 24V-1.2A
Power	23W
Noise	≤55dB
CADR (<i>Clean Air Delivery Rate</i>)	95m ³ /h
Coverage Area	≤15m ²
Size	Φ200*404mm
Weight	2.12KG

04 / INSTRUCTIONS

04.1 / Steps for Installing the HEPA Filter

- Ensure the air purifier is **unplugged** before installing or removing the filter.
1. Invert the product, rotate and open the base in the direction marked “**OPEN**”.
 2. Take out the filter from the product.





3. **Remove the filter packaging** before placing it into the unit.
4. Align the filter correctly and **secure the base by rotating clockwise (CLOSE)**.
5. Plug in the air purifier and **turn it on**.

Note: Before using the air purifier for the first time please remove all the packaging materials of the filter

04.2 / Filter Replacement

- The filter replacement indicator (*orange light*) will flash when a new filter is needed.
- Do not wash or reuse filters.
- For best performance, replace filters consistently every **3-6 months** or when airflow weakens.

05 / OPERATING MODES & FEATURES

Standby Mode

When the air purifier is plugged in, it enters **Standby Mode** with a flashing indicator light.

Auto Mode

When the Control Ball shifts to Auto Mode, The indicator light remains on without blinking.

PM2.5 background light colors:

The air purifier adjusts fan speed based on real-time air quality measurements:

- **Blue Light: Good** Air Quality ($PM_{2.5} \leq 50 \mu g/m^3$) → Switches to Sleep Mode.
- **Yellow Light: Moderate** Air Quality ($PM_{2.5} \sim 51-150 \mu g/m^3$) → Switches to Medium Mode.
- **Red Light: Severe** Air Quality ($PM_{2.5} > 150 \mu g/m^3$) → Switches to High Mode.



High Mode

When the Control Ball shifts to High Mode, the air purifier runs at high speed and the indicator remains on.



Sleep Mode

When the Control Ball shifts to Sleep Mode, The air purifier runs quietly and the indicator remains on.



UV Mode

When the Control Ball shifts to UV Mode, Press the Control Ball to toggle UV mode on/off. Kills bacteria and viruses using UV-C light (254 nm wavelength).



WiFi Function

- **Press and hold the** Control Ball for **5** seconds to activate WiFi pairing mode.
- The **WiFi indicator** (between the lower half of the Control ball and fan grill) will begin **blinking rapidly**, signalling it's ready to connect.
- Connect via the "BigWater" App (iOS/Android).
- The **WiFi indicator will stay solid** once successfully connected.
- Allows remote operation, scheduling, and air quality monitoring.



Turning Off the Filter Replacement Reminder

- When the background light flashes orange, the filter needs replacement.
- Replace the old filter with a genuine BigWater filter.
- Press and hold the Control Ball for 5 seconds to reset the filter life counter.
- The orange light will turn off, confirming the reset.

06 / WI-FI OPERATION

1. Download the "**BigWater**" App available on the App Store & Google Play or from the BigWater website www.bigwater.io
2. Register an account using your phone number and email.

Add Device :

1. Sign in to the App

2. Connect your phone to your home network and turn on Bluetooth (select 2.4GHz WiFi network). **DO NOT** use the 5G network.
3. Open "BigWater" App. Click "+" to add a device to the homepage. The APP will be displayed on the screen.
4. **Auto Scan:**
 - Ensure that the air purifier is in WiFi configuration mode (WiFi indicator blinking rapidly).
 - Open the "BigWater" App and tap "+" to add a new device.
 - If the app has the necessary permissions enabled, it will automatically detect the BigWater air purifier.
 - Once detected, follow the on-screen prompts to complete the connection.
5. **Add Manually:** Select the product name, WiFi+Bluetooth mode.

Bluetooth configuration:

1. Make sure **Bluetooth is enabled** on your mobile device.
2. Open the "**BigWater**" App and tap "+" to add a new device.
3. Select "**WiFi + Bluetooth Mode**" for faster pairing.
4. The app will search for nearby devices using **Bluetooth and WiFi signals**.
5. Once detected, follow the **on-screen instructions** to connect the air purifier.

Access Point Mode (AP mode):

- Ensure the **WiFi indicator is blinking slowly**, indicating AP Mode.
- Open the "**BigWater**" App and tap "+" to add a new device.
- Select "**AP Mode**" as the connection method.
- Enter your **WiFi network name and password** when prompted.
- Tap "**Go to Connect**", then open your phone's **WiFi settings**.
- Connect to the air purifier's **temporary WiFi network** (e.g., "**BigWater_xxxx**").
- Return to the "**BigWater**" App, and the connection will start automatically.
- Once successfully connected, the air purifier will appear in your device list, allowing remote control.

07 / Filter replacement

- When the background light flashes orange, it indicates that the filter needs to be replaced.
- Only use only the original BigWater filter to maintain optimal performance that you will receive from time to time.

To Note:

- Clean the filter regularly, but **DO NOT** wash or reuse it.
- Ensure the air purifier is unplugged before replacing the filter.
- **DO NOT** use a vacuum cleaner to clean the filter, as it may cause damage.
- Sterilize the filter in sunlight periodically to prolong its lifespan.

08 / MAINTENANCE

To Note:

- Unplug the air purifier before performing any maintenance.
- **DO NOT** immerse the air purifier in water or any liquid.
- **DO NOT** use abrasive, corrosive, or flammable cleansers such as bleach or alcohol on any part of the air purifier.
- **DO NOT** wash the filter under any circumstances.

Cleaning:

- Ensure the air purifier is powered off and unplugged before cleaning.
- Remove the filter and gently clean any accumulated dust on its surface.
- Use a soft cloth with a neutral cleanser to wipe the shell, air inlet, and air outlet.
- Allow the air purifier to fully dry before reinstalling the filter and resuming use.

Storage:

- Turn off and unplug the air purifier, and neatly secure the power cord.
- Remove the filter and clean any dust buildup on its surface.
- Wipe down the shell, air inlet, and air outlet using a soft cloth and neutral cleanser.
- Once dry, wrap the air purifier in a dust cover or storage bag and store it in a ventilated, dry area away from direct sunlight.
- If the air purifier is not used for an extended period, turn it on for a few minutes periodically to maintain efficiency.

09 / TROUBLESHOOTING

Issue	Possible Causes & Solutions
Device Not Working	<ul style="list-style-type: none"> - Ensure the air purifier is plugged into a working power socket. - Check if there is a power outage in your area.

Issue	Possible Causes & Solutions
	<ul style="list-style-type: none"> - Verify if the home leakage switch or fuse has tripped. - Check if the filter replacement indicator light is flashing. If so, replace the filter.
Weak Airflow	<ul style="list-style-type: none"> - Check if there is dust buildup on the surface of the primary filter. - Ensure that the air inlet and outlet are not blocked.
Unusual Noise While Operating	<ul style="list-style-type: none"> - Inspect if any object is stuck in the fan at the air outlet. - Ensure the air purifier is placed on a flat, stable surface. - If the noise is excessive, reduce the fan speed or switch to a lower mode.
Unpleasant Odor While Operating	<ul style="list-style-type: none"> - A slight plastic smell is normal during the first use. - Persistent odor may be due to dust accumulation—clean or replace the filter as needed.
Filter Replacement Indicator Still Flashing After Installing a New Filter	<ul style="list-style-type: none"> - After replacing the filter, reset the filter life counter. - Press and hold the Control Ball for 5 seconds to turn off the indicator light and restart the filter life counter.

10 / RECOMMENDATIONS

1. Leave your BigWater air purifier **ON** 24/7 for optimum benefits even if you are not occupying the space it is operating in.
2. Your daily rewards are linked to every **20 hours** of operating the device. So allow this to work for you 24/7 even if you are not within its vicinity.

Your BigWater air purifier is also a DePIN device that helps you secure Clean Air for yourself, earns daily rewards as tokens and enables 1000 litres of Clean Water for underserved communities in the world. The verified NFT for this invaluable contribution is credited to your wallet in the BigWater mobile app. We deeply appreciate your support and participation in this compelling mission that powers sustainability and accelerates Climate Change.

IMPORTANT NOTICE

If the troubleshooting steps above do not resolve the issue, please contact BigWater Customer Support on info@bigwater.io for assistance. Do not attempt to disassemble or repair the air purifier yourself.